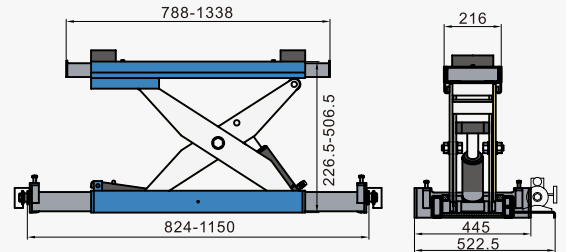
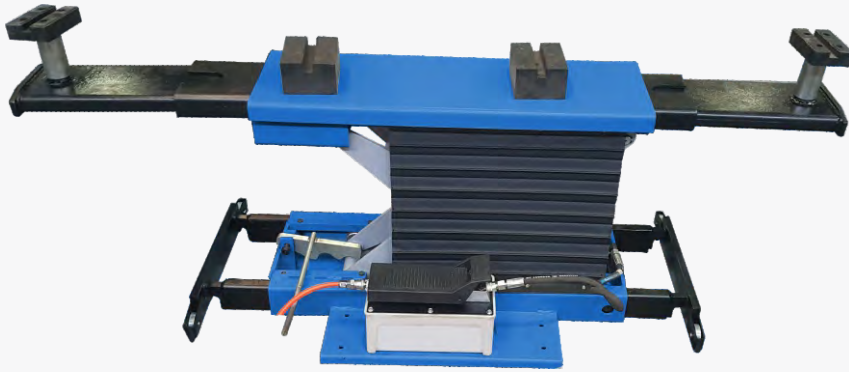


RX**20Q/30Q**

2.0/3.0 Ton Pneumatic Rolling Jack

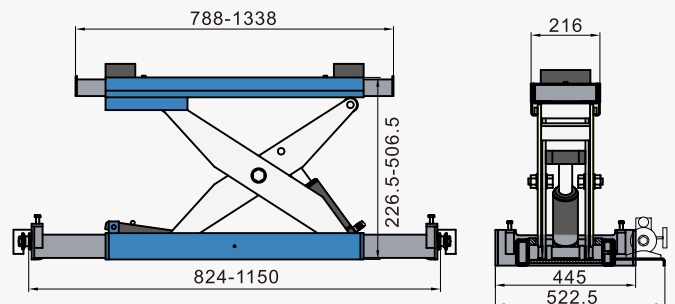
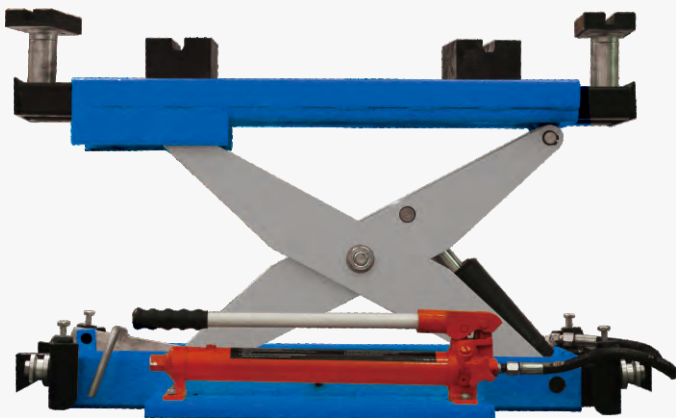


Technical Parameters

Model	RX20M	RX30M
Lifting Capacity	2,000kg	3,000kg
Lifting Height	280mm	280mm

RX**20M/30M**

2.0/3.0 Ton Manual Rolling Jack



Technical Parameters

Model	RX20Q	RX30Q
Lifting Capacity	2,000kg	3,000kg
Lifting Height	280mm	280mm