

HSL 1010

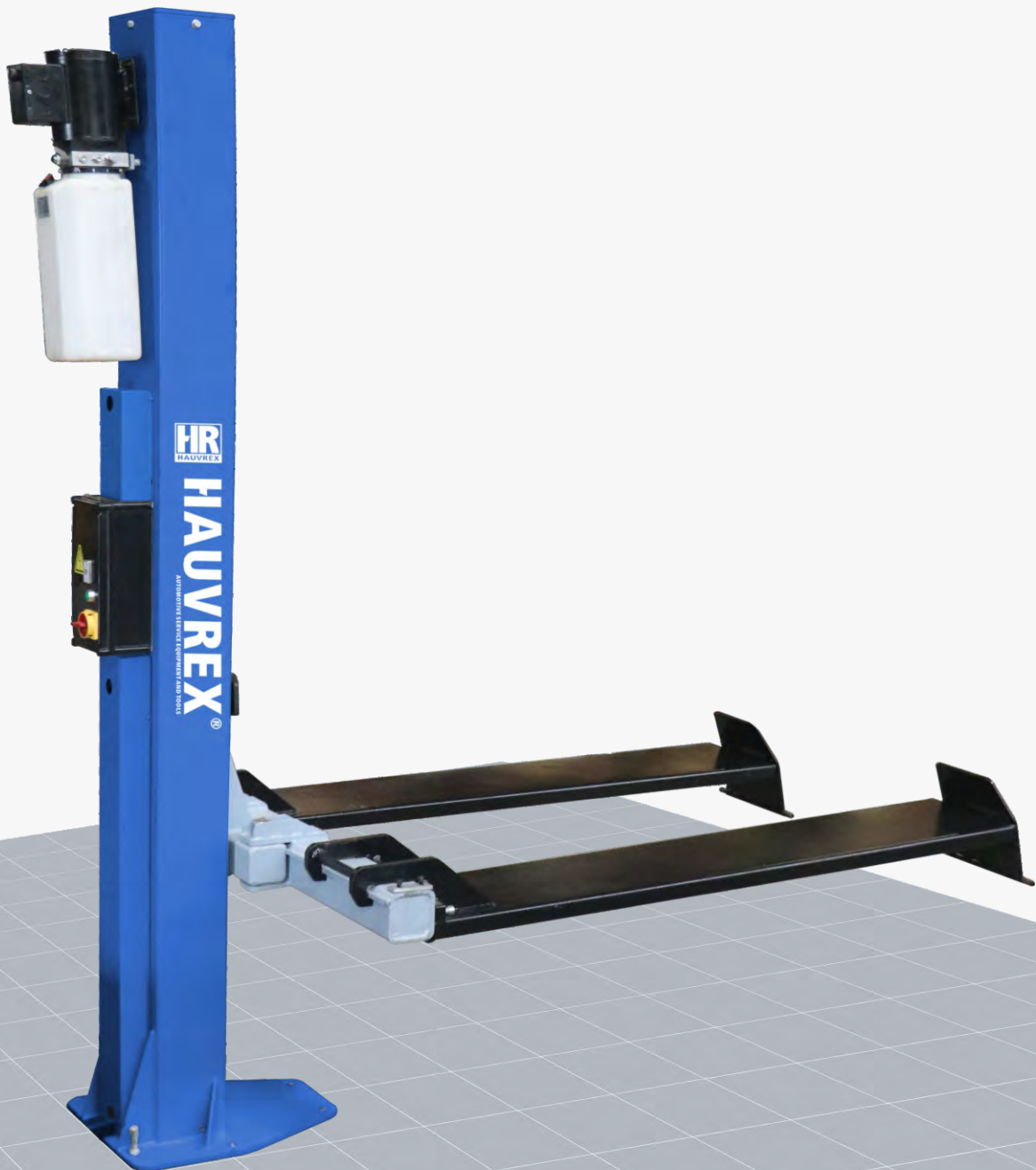
Min.
57mm

1800mm
Max.

1000kg
Capacity

1000kg Golf Cart Lift

Automatic lock release



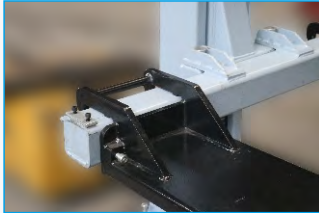
ERC

Technical Features



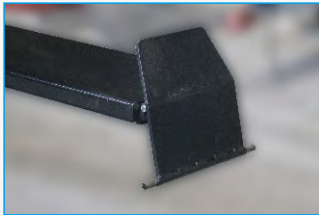
Control

24V low voltage control box with UP, DOWN, LOCK button and main power switch



Platforms

Adjustable platform distance for different wheel track vehicles



Drive Ramps

Drive ramps can be used as wheel stopper while it is lifted



Door Protection

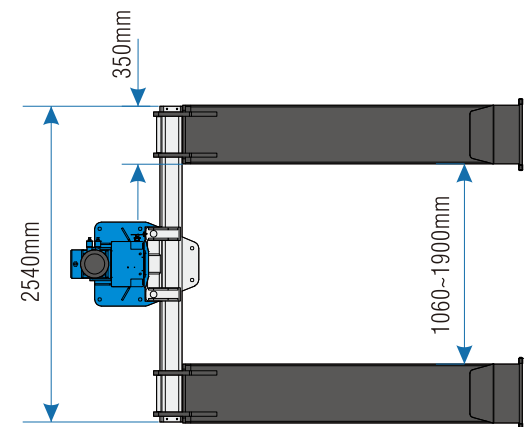
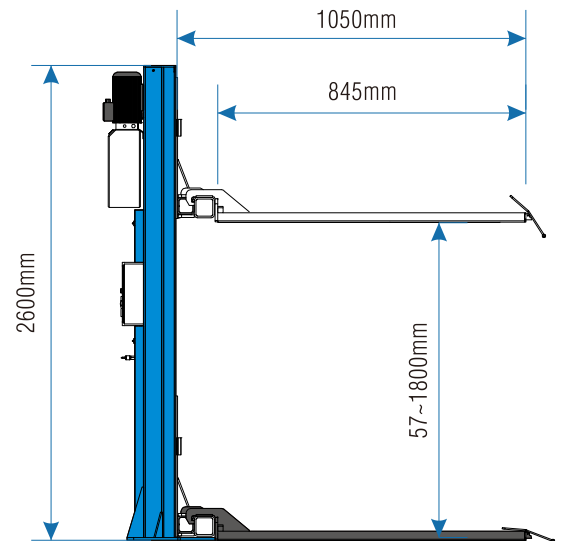
Anti-collision door protection rubber on carriage



Power Pack

2.2kW power pack with black motor

Technical Drawing



Technical Data

Lifting Capacity	1,000kg
Min. Height	57mm
Max. Lifting Height	1,800mm
Overall Height	2,600mm
Overall Width	2,540mm
Width between Platforms	1060~1900mm
Lifting/Lowering Time	35Sec./25Sec.
Motor Power	2.2kW
Power Supply	380V/50Hz/3Ph 220V/50Hz/1Ph