

HXL

6128

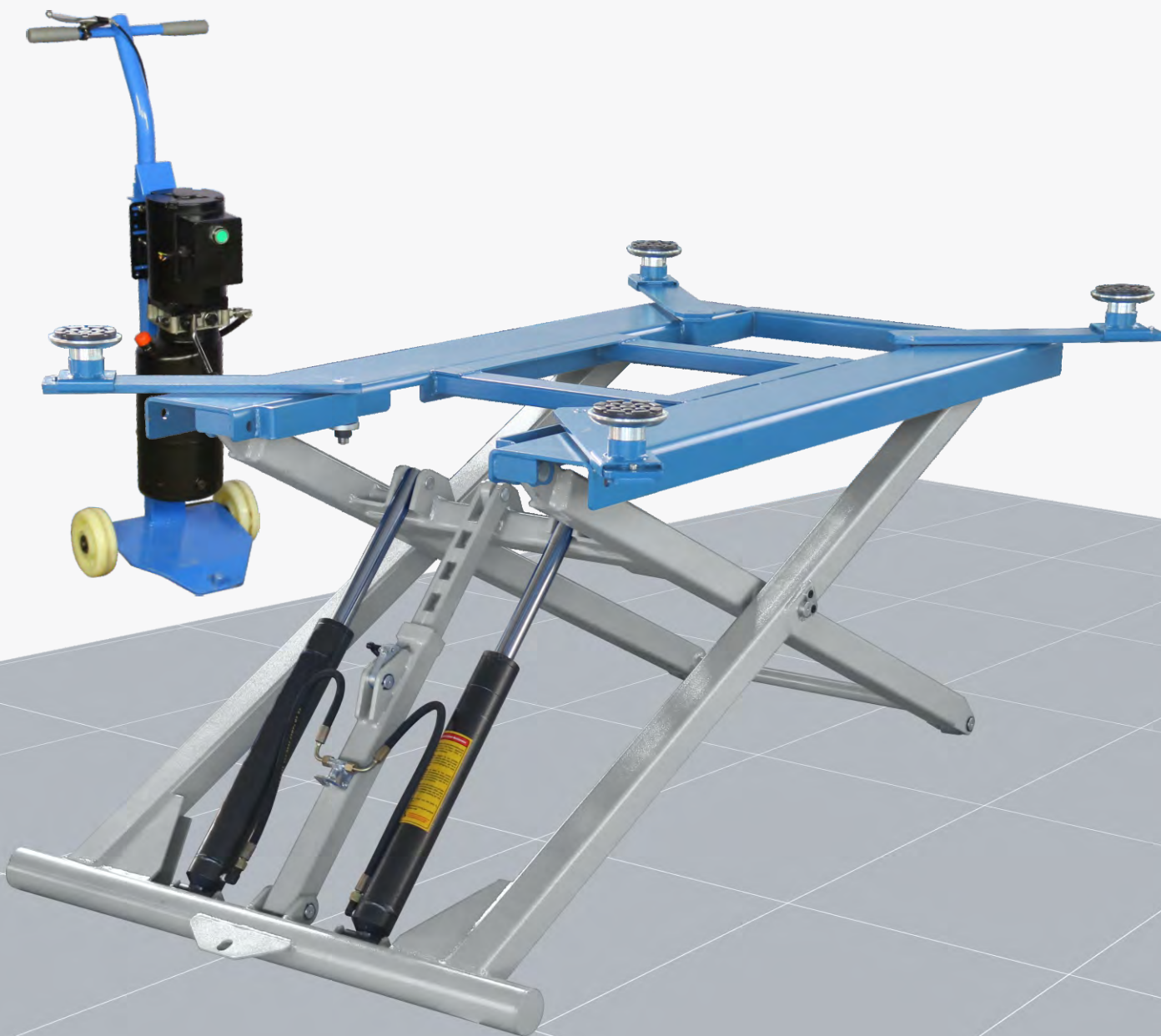
Min.
219mm

1152mm
Max.

Capacity
2800kg

2.8 Ton Portable Mid-rise Scissor Lift

Manual lock release



EAC

Technical Features



Control

Power pack with UP button and manual lowering valve



Arm Assembly

Adjustable arm assembly helps provide fast set-up time



Lifting Pad

Sliding lifting pad



Safety Locks

Safety lock bar with multiple lock position engages automatically



Lock Release

Manual lock release lever on moving cart



Hooking Area

Hooking area on the machine for moving trolley



Moving Wheels

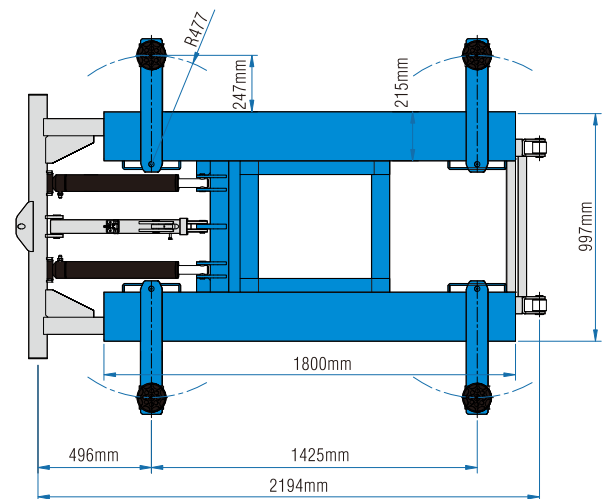
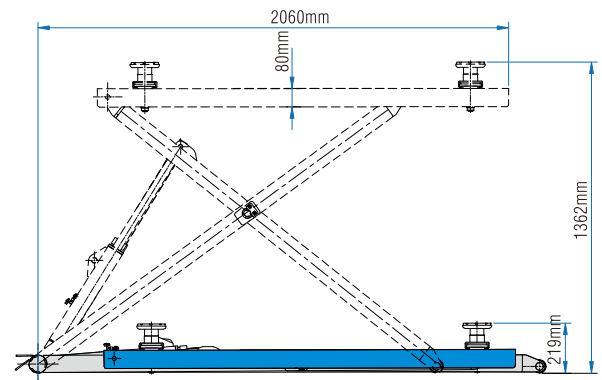
Cast iron moving wheels



Power Pack Cart

Portable power pack cart serves as tow handle to easily move lift from one bay to another

Technical Drawing



Technical Data

Lifting Capacity	2,800kg
Min. Height	219mm
Max. Lifting Height with Adaptors	1,362mm
Platform Length	1,800mm
Platform Width	997mm
Lifting/Lowering Time	25Sec./15Sec.
Motor Power	2.2kW
Power Supply	380V/50Hz/3Ph 220V/50Hz/1Ph