

HXL

6230

Min.
110mm

1150mm
Max.

3500kg
Capacity

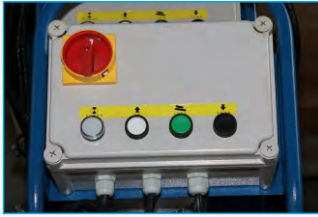
3.5 Ton Portable Mid-rise Scissor Lift

With moving kit, pneumatic lock release



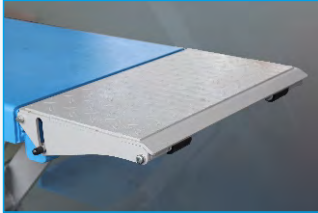
CE EAC

Technical Features



Control

24V low voltage control box with main power switch, UP, Down, lock button and power indication light



Drive-on Ramp

Drive-on ramps which can be locked on level as platform extension



Safety Locks

Mechanical safety locks on bottom plate



Lock Release

Pneumatic lock release as standard (optional electric solenoid lock release)



Foot Protection

Proximity sensor which stops the lift at the last lowering stage as foot protection



Start-up Device

Start-up device guarantees 3.5 ton lifting capacity at the initial lifting stage and smooth lowering at the last lowering stage



Moving Kit

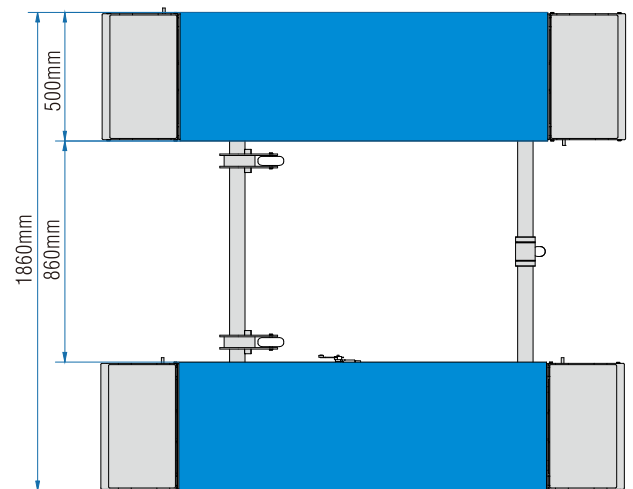
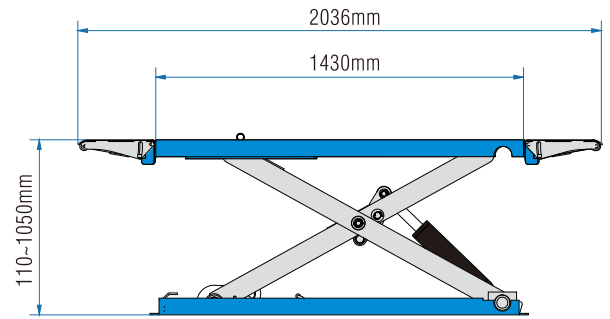
A set of moving kit as standard accessory



Control Trolley

Power pack and control box on moving trolley

Technical Drawing



Technical Data

Lifting Capacity	3,500kg
Min. Height	110mm
Max. Lifting Height	1050mm
Platform Length	1,430~2,036mm
Platform Width	500mm
Distance between Platforms	860mm
Air Supply	6~8kg/m ³
Lifting/Lowering Time	35Sec./25Sec.
Motor Power	2.2kW
Power Supply	380V/50Hz/3Ph 220V/50Hz/1Ph